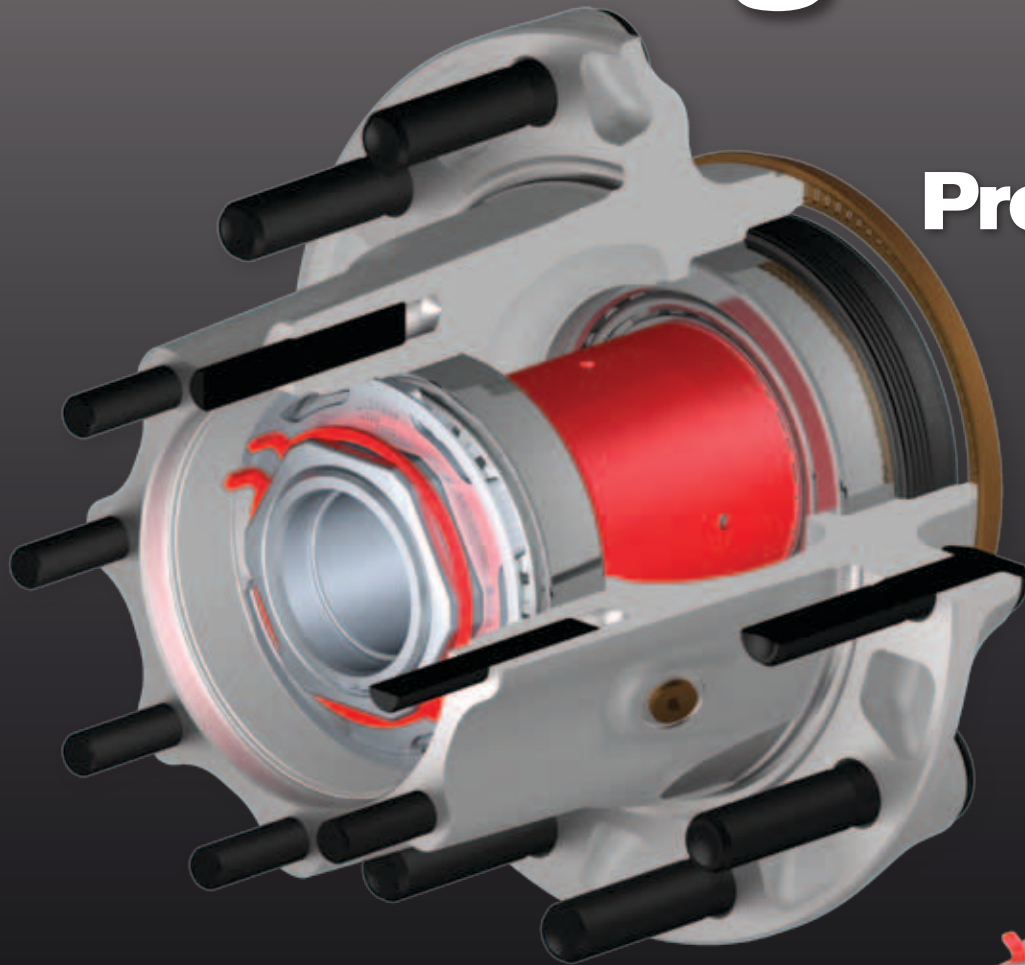


# The Complete Package



**PreSet**  
*PLUS*<sup>™</sup>

## **PreSet Plus<sup>™</sup> is the Only Fully Integrated Hub to Feature PreSet<sup>®</sup> Technology**

- + Integrated Spindle Nut Designed Specifically for PreSet<sup>®</sup>
- + Magnetic Fill Plug Standard
- + "Best in Class" Seal
- + Protects Hub Components During Wheel-End Maintenance
- + PreSet<sup>®</sup> Technology Eliminates Bearing Adjustment
- + Eases Installation & Disassembly Process
- + Reduces Maintenance Costs



*PreSet Plus<sup>™</sup> features a new patent pending fully integrated locking nut system.*

To find out more about the next evolution in wheel-ends visit [www.ConMet.com](http://www.ConMet.com)

**CON**  
**MET**  
*Pointing the Way<sup>®</sup>*